



LAMINATE GENERAL INSTALLATION INSTRUCTIONS FOR ANGLE/TAP FLOORING

WARNING

Prior to installation, please ensure that the product received is the correct style and color as well as to the customer's satisfaction. If there are any doubts, do not install the flooring and contact the retailer. Beaulieu® will not be held responsible for any costs relating to the installation of unsatisfactory or incorrect product. Some of our laminate products are specifically designed to be water resistant. However, while water resistant, they are not waterproof and although it is now possible to install them in bathrooms, at no time should standing water be left on the floor, and water spills should be cleaned immediately. Concrete subfloors must also meet humidity requirements as outlined in the "Concrete Substrates" paragraph.

ACCLIMATION

Acclimation is a required procedure prior to the installation of laminate flooring. Store the UNOPENED BOXES in the room where the flooring is to be installed for at least 48 hours prior to installation. Always store the boxes on a flat and level surface; never store the boxes on their sides. Heating and air conditioning should be operational and set between 65 °F – 85 °F (18.3 °C – 29.4 °C) and relative humidity in the room should be 35% – 65% for the acclimation and installation period.

TOOLS AND MATERIALS REQUIRED

- Safety glasses and dust mask
- Measuring tape and square
- Circular hand or table saw with narrow carbon-tipped blade with a minimum of 60 teeth
- Handsaw or door jamb saw for door jambs
- Spacer blocks of plastic or wood 3/8" (10 mm) thick
- Pull bar, hammer and tapping block
- If not already attached to the plank, you will need an underlay material with a thickness of max. 1/8" (3.2 mm)
- For installations over concrete or cement-type substrates, a vapor barrier is required (see "Concrete Substrates" below)
- Embossing leveler/floor patch (if necessary)

UNDERLAYMENT

Do not install a separate underlayment if the product you purchased already comes with an attached underlayment.

SUITABLE SUBSTRATES

Beaulieu laminate flooring can be installed on most existing floors, wooden, PVC and concrete floors. All existing flooring should be well adhered to the substrate. Beaulieu laminate flooring cannot be installed over any existing flooring that has an attached cushion or is a floating floor. All carpeting and padding as well as adhesives from prior installation must be removed from the surface of the subfloor. Make sure that the surface is clean, dry, structurally sound and flat within 3/16" per 10 foot radius or 1/8" per 6 foot radius (4.7 mm per 3 m or 3.2 mm per 1.8 m). Supporting floors must be rigid as too much deflection can result in a failed installation. Maximum deflection should not exceed 3/64" (1.1 mm). Surface temperature of the substrate must be maintained between 18,3 °C (65 °F) and 29,4 °C (85 °F), 48 hours prior, during and after the installation.

CONCRETE SUBSTRATES

Concrete subfloors must be inspected prior to installation and if they do not meet the following requirements, do not install flooring. Concrete shall have a minimum compressive strength of 3500 psi. All types of concrete floors, light weight concrete floors or ceramics, require a moisture inhibiting membrane (vapor barrier). Attached underlayment does not qualify as a vapor barrier. Use a polyethylene film of 6-8 mils (0.15 – 0.2 mm). This vapor barrier must be applied with a minimum of 8" (20 cm) overlap and taped with a waterproof tape and turned about 2" (5 cm) up the wall. If not already attached to the plank, you will also need a separate underlay material with a maximum thickness of 1/8" (3.2 mm). A vapor barrier can be incorporated into the separate underlayment; however, this underlayment must be approved as a moisture barrier underlayment. Check with the underlayment manufacturer's specifications. Concrete subfloors must be cured for 60 days prior to installation of the flooring, and should be tested for excessive moisture. Moisture vapor emission rate should not exceed 5 lb/1000 sq. ft. (2.27 kg/92.9 sq. m)/24 hours per ASTM F1869. When using the ASTM F2170 test method, the internal relative humidity should not exceed 80%, and the pH level should be between 7 and 9. Surface temperature of the substrate must be maintained between 18,3 °C (65 °F) and 29,4 °C (85 °F), 48 hours prior, during and after the installation.

WOODEN SUBSTRATES

Wood floors should be a minimum of 3/4" (19 mm) thick, APA approved grade tongue and groove plywood or 23/32" (18.25 mm) OSB, with a smooth finish, free from spring and deflection. If the wooden subfloor is not an APA approved flooring grade underlayment, a minimum of 1/4" (6.35 mm) approved wood underlayment must be adhered to the existing substrate. Make sure that the surface is clean, dry, structurally sound and flat within 3/16" per 10 foot radius or 1/8" per 6 foot radius (4.7 mm per 3 m or 3.2 mm per 1.8 m). All fastener indentations and joints should be level and smooth using appropriate patching compounds. Deflection should not exceed 3/64" (1.1 mm). Surface temperature of the substrate must be maintained between 18,3 °C (65 °F) and 29,4 °C (85 °F), 48 hours prior, during and after the installation.

RADIANT-HEATED FLOORS

Beaulieu laminate flooring can be installed over embedded radiant-heated floors provided the operating temperature never exceeds 85 °F (29.4 °C). The radiant system should be in operation for three (3) weeks prior to installation of the flooring. For 48 hours prior to and during installation, the system should be kept at 65 °F (18.3 °C). Once the installation is completed, the heat should be gradually increased by a maximum of 5 °F (2.8 °C) per day until the desired setting is reached. Do not use radiant heat systems that expose the flooring to wide variations in temperature, such as a wire induction mat system. The installation area of the flooring shall not contain heated and non-heated areas, unless expansion joints separate them. A vapor barrier is required for all radiant heat installations. Keep in mind that loose rugs or carpets may accidentally function as heat insulators and raise the temperature to more than the tolerated maximum surface temperature of 85 °F (29.4 °C).

GENERAL INFORMATION

When installing Beaulieu laminate flooring, you must leave an expansion gap around the perimeter of the room of 3/8" (10 mm) to prevent binding of the flooring. The planks must not be glued or tacked to the subfloor in any way. Do not install cabinets or kitchen islands on top of floating laminate floorings. An expansion gap should be maintained when meeting other types of flooring. This also applies to any obstructions (columns, pipes, etc.) in the installation. Door jambs must be undercut to allow for expansion; do not force the laminate product under tight door jams. Installations greater than 26' (8 m) lengthwise or greater than 26' (8 m) widthwise or those with separate rooms will require the use of transition moldings to provide proper expansion space. If necessary, the planks in the first row can be cut to a narrower width to

ensure the planks of the final row are at least 2" (5 cm) wide.

Before installing the flooring you must clean, sweep or vacuum the subfloor so that it is free of dirt. Verify the moisture content of the subfloor using a moisture meter or another approved method. The subfloor must be level and flat within 3/16" per 10 foot radius or 1/8" per 6 foot radius (4.7 mm per 3 m or 3.2 mm per 1.8 m). Deviations must be corrected by either filling or sanding the subfloor.

LAYOUT AND MEASURING

First, determine which way to run the planks. Rules of thumb are:

Over wooden floor joist systems, run the length of the product perpendicular to the joist system.

Over concrete, the following can be used:

- Lengthwise in the longest direction of the room.
- Lengthwise perpendicular to the main source of incoming light.

To avoid straddling a door jamb with a plank, use a T-molding or measure back to the starting wall to ensure a plank connection within the door jamb area. It is recommended that you do not end up with a narrow strip at the end that is less than 2" (5 cm) wide on any wall in the room. It is recommended to cut the first and last rows so they are equal in width. Undercut all door jambs so that the flooring will easily slide underneath them. Using a scrap piece of flooring and underlayment as a guide, undercut the jambs with a jamb saw or regular handsaw. Always leave an expansion space between the flooring and all walls or other fixed objects.

VISUAL INSPECTION AND MIXING PLANKS

Notice to installer

Planks showing visible defects should never be installed. These planks should be put aside and used for cuts or submitted for a product claim. Claims resulting from the installation of such planks will not be honored. For best results, it is recommended that material be mixed from four (4) to six (6) boxes when installing Beaulieu laminate flooring. Do not put like planks next to each other and randomly stagger end joints for best visual appeal.

Cutting the planks

When cutting laminate flooring with a circular saw, it is recommended to cut with the decorative side down. When using a table saw, jigsaw or handsaw, cut with the decorative side up.

- Remember that airborne wood dust can be an explosive hazard and an irritant to eyes, skin and the respiratory system. Use dust collectors on power tools, wear appropriate clothing, eye protection and an approved dust mask.
- Always start a row with a plank at least 12" (30 cm) long and make sure the minimum end joint offset is 12" (30 cm) apart.

INSTALLATION

1. Getting started

Check the planks before you start to make sure that they are not in any way damaged or have quality defects. After cleaning the subfloor, you may roll out the vapor barrier or underlay material (if required). The vapor barrier must overlap by at least 12" (20 cm).

2. First row

Start installation of the planks in the left hand corner, tongue-side against the wall. Make sure you place the short side of the plank 3/8" (10 mm) from the wall. The long side can be pushed into place when three (3) rows have been assembled; mind distance of 3/8" (10 mm). If the wall is uneven, the planks must be adapted to its contours. To do this, remove the first row. Cut the planks as required and then re-lay them.

3. Completing the first row

Place the final plank face down. The distance to the wall must be 3/8" (10 mm). Mark where the plank is to be cut.

4. Cutting the planks

Place the plank face down on the work surface and cut to size using a circular saw. If you are using a hand saw, ensure that it is fine toothed and cut the plank face up.

5. Starting the second row

Use a cut piece of plank at least 12" (30 cm) long from the previous row to start the next row. If this piece is too short, start with a new plank cut in half. Always ensure that the end joints are randomly staggered at least 12" (30 cm).

6. Continuing Installation

(Long side) Angle / Tap:

Place the plank lengthwise at an angle of approx. 25° and angle it in. Shift the plank already now to the short side of the first plank. Push the plank down gently so that the prestressed profile locks in neatly.

Pay attention to the positioning of the short sides to ensure the profile pieces are perfectly aligned.

Once the plank is lying flat, place the tapping block on the profile and use a hammer to gently tap into place so that the tongue and groove have a tight connection. Please note that the tapping block should be positioned properly on the tongue so damage does not occur.

(Short side) Angle / Tap:

To start the second row, place the plank lengthwise and angle at approx. 25° before dropping the plank down. Install the next plank by angling the long side at approx. 25° and dropping down, keeping in mind the short side should be 2-3 mm away from the end of the previous plank. Pay attention to the positioning of the short sides to ensure the profile pieces are perfectly aligned. Once the plank is lying flat, place the tapping block on the profile and use a hammer to gently tap into place so that the tongue and groove have a tight connection. Please note that the tapping block should be positioned properly on the tongue so damage does not occur.

7. Laying the last row

Measure and cut the plank. Leave 3/8" (10 mm) distance to the wall.

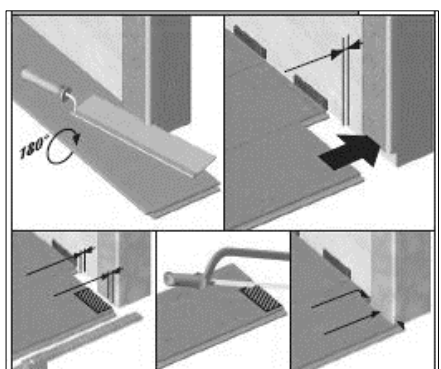
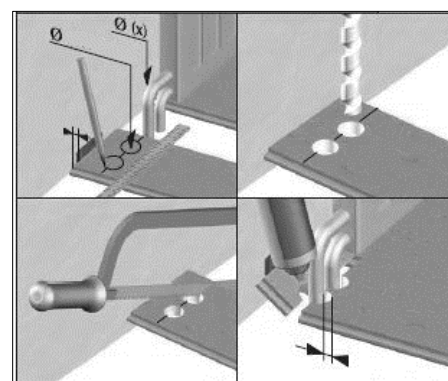
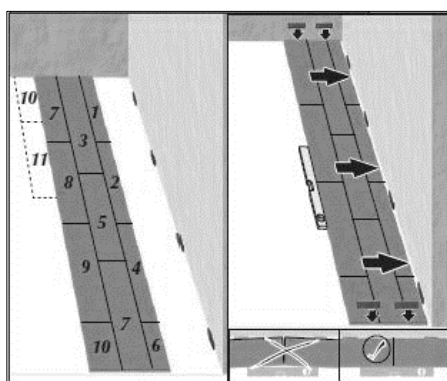
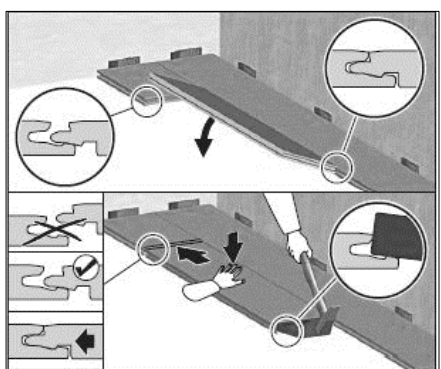
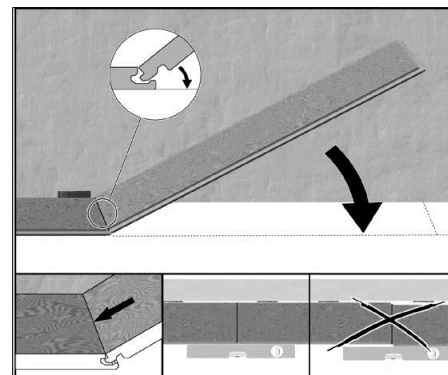
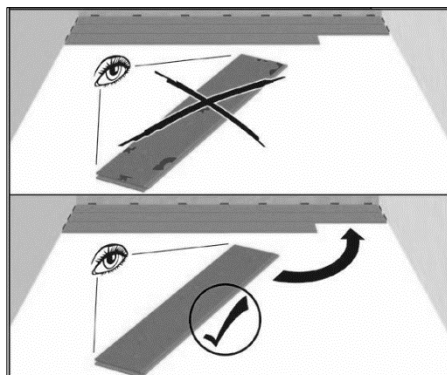
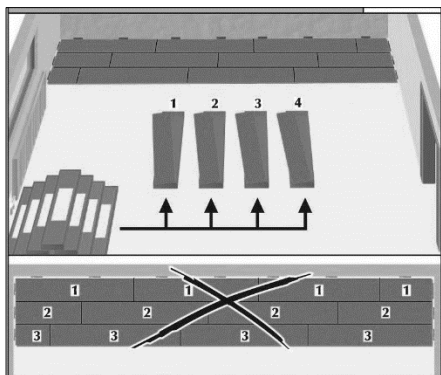
8. Holes for pipes

Measure the diameter of the pipe and drill a hole that is 3/8" (10 mm) larger. Saw off a piece and lay the plank in place on the floor.

9. Door moldings and skirting

Lay a plank, with the decorative side down, next to the door molding to measure where it is to be cut. Cut the plank and slide it under the molding.

INSTALLATION ILLUSTRATIONS



INSTALLATION VIDEO

<https://youtu.be/BuS1L1JDgE>

Homeowner Obligations

To maintain warranty coverage and ensure fast and easy warranty service, the homeowner is responsible for the following:

- Keep five (5) planks of the laminate flooring product after installation for testing purposes.
- Keep and be able to provide the original sales receipt or documentation illustrating proof of purchase and installation date of the product.
- Make sure the flooring is installed according to Beaulieu Installation Instructions.
- Keep a list of cleaners used to maintain the flooring.

Please visit our website at beaulieucanada.com for the most up-to-date version of this document as it may have been revised and updated since this printed version.

Warranty and care and maintenance guides can also be found on our website at beaulieucanada.com, or you may contact your retailer.